

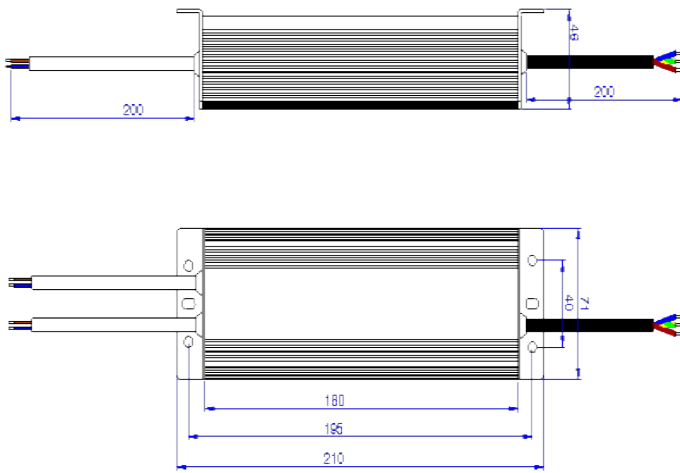
# 150W IP67 WEATHERPROOF LED DRIVER



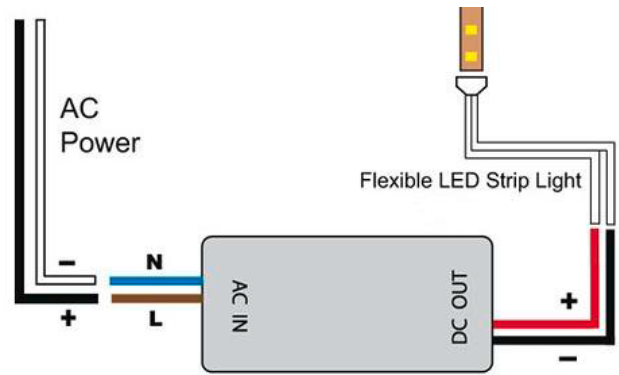
## TECHNICAL

Material	Aluminium
Input Voltage	240v AC
Output Voltage	12v DC
Output Power	150w
No. Output Cables	2
Wiring	Parallel
IP Rating	IP67
Dimmable	No
Warranty	2 Years Replacement

## DIMENSIONS



## SAMPLE INSTALLATION DIAGRAM



\*Recommended maximum Load of 120w (80%)

## COMPATIBLE WITH



All Low Voltage Light Fittings and LED Strip



IP RATING

APPROVAL



## PRODUCT ORDERING

Image	Part Number	OUTPUT VOLTAGE
	TLI-U12PS-150W-WP	12V DC

# 150W IP67 WEATHERPROOF LED DRIVER

MODEL		TLI-U12PS-150W-WP
OUTPUT	DC VOLTAGE	12V
	RATED CURRENT	12.5A
	CURRENT RANGE	0~12.5A
	RATED POWER	150W
	RIPPLE&NOISE(max)	<800mV
	VOLTAGE TOLERANCE	±0.5V
INPUT	VOLTAGE RANGE	170~265VAC
	FREQUENCY RANGE	47~63Hz
	POWER FACTOR(Typ.)	0.6
	EFFICIENCY(Typ.)	83%
	AC CURRENT(Typ.)	1.22A/220VAC
PROTECTION	Short circuit	Protection type: shut down o/p voltage with re-power on to recovery
	Overload	12.5-15.5A
ENVIRONMENT	WORKING TEMP.	-30~ +50°C (Refer to output load derating curve)
	INGRESS PROTECTION	IP67 design for indoor or outdoor installations
	STORAGE TEMP	-40~ +80°C
SAFETY&EMC	SAFETY STANDARDS	EN61347-1;EN61347-2-13;SELV;IP67 approved
	WITHSTAND VOLTAGE	I/P-O/P:3.75KVAC I/P-FG:2KVAC O/P-FG:0.5KVAC
	EMC Test Standards	
NOTE	<p>1.All parameters NOT specially mentioned are measured at 220VAC input,rated load and 25°C of ambient temperature.</p> <p>2.Ripple&amp;noise are measured at 20MHz of bandwidth by using a 12" twisted pair-wire terminated with a 0.1uf&amp;47uf parallel capacitor.</p> <p>3.Tolerance:includes set up tolerance,line regulation and load regulation.</p>	

## Others

DIMENSION	210×71×46mm(L×W×H)
CARTON QUANTITY	10pcs/carton
CARTON SIZE	350×261×184mm
WEIGHT	1.06Kg/pcs

## Derating Curve

